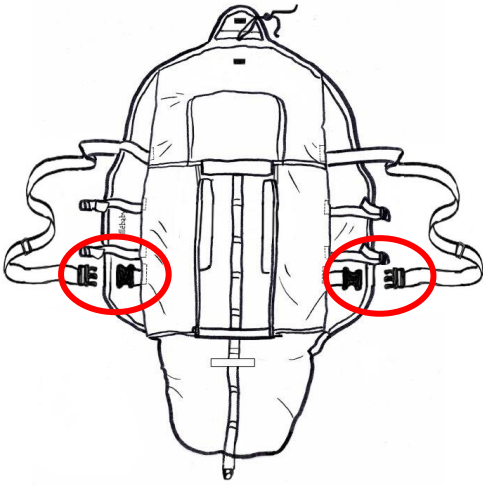
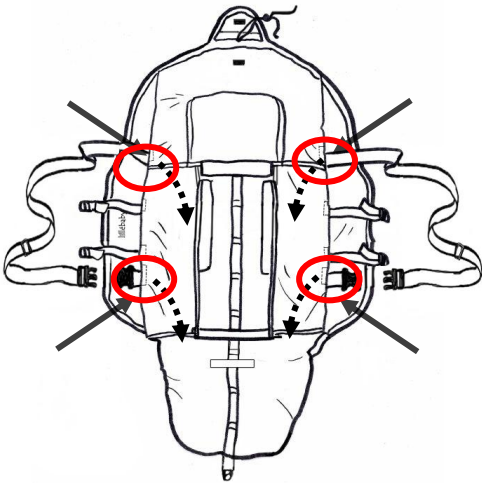


Removing the Carrying Board

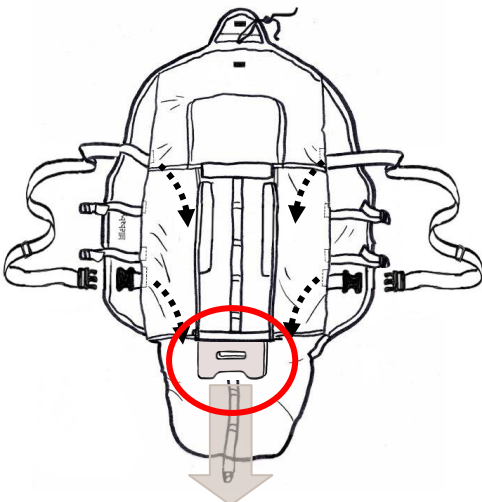
Before washing the EuroTote or when your child has outgrown the Cradle Carrier function, you should remove the carrying board:



1. Unbuckle the two carrying straps and tuck into corresponding openings.



2. **Insert Buckles into Bag**
To simplify pulling the board out, tuck the buckles into the EuroTote through the four corresponding openings.



3. **Pull Carrying Board Out**
Open the horizontal opening/pocket on the back of the EuroTote. Pull the carrying board out through the opening. The carrying straps are attached to the board and will follow. You may have to assist the buckles through the holes.

Store the carrying board for future use or reinstall after washing the EuroTote bag.

*Pull Carrying
Board out*